

Ultra High Resolution WDR Dome Camera
SID-560/562

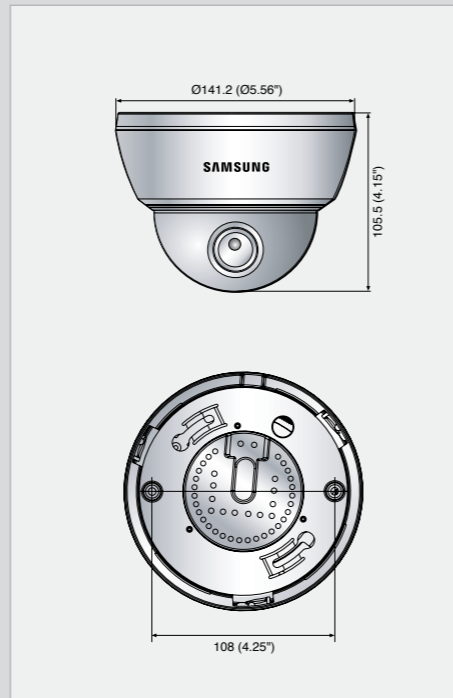


Specifications

Mode	SID-560N	SID-560P	SID-562N	SID-562P
Power Source	12V DC (±10%)		12V DC / 24V AC (±10%)	
Power Consumption	Max. 3.5W		Max. 2.5W	
Image Pick-up Device	1/3" Vertical double density interline CCD			
Total Pixels	811(H) x 508(V)	795(H) x 596(V)	811(H) x 508(V)	795(H) x 596(V)
Effective Pixels	768(H) x 494(V)	752(H) x 582(V)	768(H) x 494(V)	752(H) x 582(V)
Scanning System	2 : 1 Interlace	2 : 1 Interlace	2 : 1 Interlace	2 : 1 Interlace
	525 Lines / 60 Fields / 30 Frames	625 Lines / 50 Fields / 25 Frames	525 Lines / 60 Fields / 30 Frames	625 Lines / 50 Fields / 25 Frames
Synchronization	Internal / Line lock selectable			
Scanning Frequency	Horizontal : 15,734KHz Vertical : 59.94Hz	Horizontal : 15,625KHz Vertical : 50Hz	Horizontal : 15,734KHz Vertical : 59.94Hz	Horizontal : 15,625KHz Vertical : 50Hz
Horizontal Resolution	Color : 560TV lines (Min.) / B/W : 700TV lines (Min.)			
Video Output	1.0Vp-p / 75Ω (Video 0.714Vp-p, Sync 0.286Vp-p)	1.0Vp-p / 75Ω (Video 0.7Vp-p, Sync 0.3Vp-p)	1.0Vp-p / 75Ω (Video 0.714Vp-p, Sync 0.286Vp-p)	1.0Vp-p / 75Ω (Video 0.7Vp-p, Sync 0.3Vp-p)
Angle Field of View	37.3° ~ 95.5°			
Digital Zoom	On / Off (2X ~ 10X)			
S / N Ratio (Y signal)	52dB (AGC off, Weight on)			
Min. Illumination	0.3Lux@F1.2 (Normal color mode, 50IRE) 0.01Lux@F1.2 (B/W mode, 50IRE) 0.001Lux@F1.2 (Sens-up mode, 50IRE)			
Wide Dynamic Range	52dB			
Day & Night	Color / B/W / Auto (ICR filter change)		Color / B/W / Auto	
Gain Control	Low / High / Off			
White Balance	ATW / AWC / Manual selectable (1,800°K ~ 10,500°K)			
Electronic Shutter Speed	Auto / Manual (1/60 ~ 1/120,000)	Auto / Manual (1/50 ~ 1/120,000)	Auto / Manual (1/60 ~ 1/120,000)	Auto / Manual (1/50 ~ 1/120,000)
Sens-up (Frame Integration)	On / Off (Selectable limit ~ 256X)			
OSD	Multi-language (English, Japanese, Spanish, Korean)	Multi-language (English, French, German, Spanish, Italian, Chinese)	Multi-language (English, Japanese, Spanish, Korean)	Multi-language (English, French, German, Spanish, Italian, Chinese)
SSNR	On / Off selectable (Level adjustable)			
Motion Detection	On / Off selectable (Output via terminal)			
Mirror / Flip	Horizontal or Vertical selectable			
Monitoring Angle	Pan : 0° ~ 340° / Tilt : 0° ~ 146°			
Lens	2.5X Auto iris varifocal lens, 3.8 ~ 9.5mm (F1.2)			
Digital Image Stabilizer (DIS)	On / Off			
Protocols	STW, Pelco-D			
Communication	RS-485			
Operating Temperature	-10°C ~ +50°C			
Operating Humidity	30% ~ 80% RH			
Dimensions	Ø141.2(W) x 105.5(H)mm / Ø5.56"(W) x 4.15"(H)			
Weight	560g (1.23lb)		670g (1.48lb)	

Dimensions

Unit : mm (inch)



The Eco mark represents Samsung Techwin's will to create environment-friendly products, and indicates that the product satisfies the EU RoHS Directive.

Design and specifications are subject to change without notice.



SAMSUNG TECHWIN CO., LTD.
145-3, Sangdaewon 1-dong, Jungwon-gu, Seongnam-si, Gyeonggi-do Korea 462-703
Tel : +82-31-740-8151-8 Fax : +82-31-740-8145
www.samsungcctv.com

SAMSUNG OPTO-ELECTRONICS AMERICA, LTD.
1480 Charles Willard St. Carson, CA 90746
Tel : +1-310-632-1234 Fax : +1-310-632-2195

SAMSUNG OPTO-ELECTRONICS UK, LTD.
Samsung House, 1000 Hillwood Drive,
Hillwood Business Park Chertsey, Surrey KT16 0PS
Tel : +44-1932-45-5308 Fax : +44-1932-45-5325

TIANJIN SAMSUNG OPTO-ELECTRONICS CO., LTD
7 Pingchang Rd., Nankai Dist. Tianjin 300190, P.R. China
Tel : +86-22-2761-4724(3821) Fax : +86-22-2761-6514

■ DISTRIBUTED BY



I.D-0804

imagine Super Vision at Anytime, Anywhere

The SID-560/562 is a camera with a built-in fourth-generation DSP image engine SVIV chipset, which provides superb image quality anytime and anywhere. The SID-560/562 offers the world's best 560TV lines color resolution, a 128X more powerful WDR function for improved subject recognition in backlight, and clear picture quality without noise for low light level environments.

SAMSUNG TECHWIN



Clear Images **24 hours** a day!

The next generation DSP image engine, **SV IV**
Ultra high resolution WDR dome camera

SID-560/562



The best picture quality
in **any light or environment!**

560TV lines resolution, outstanding images of super high picture quality
Powerful **128X WDR**, overcoming natural light limitations
Brighter and clearer images even at a low light level of **0.001 Lux**

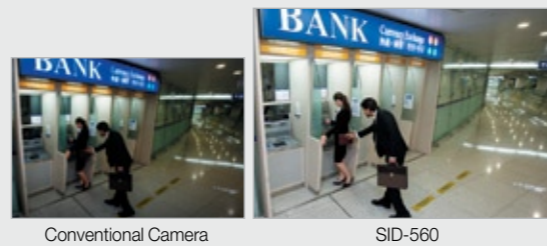


SV IV Powerful DSP Engine



An exceptional resolution of **560TV lines** for color

The SID-560/562 cameras provide super clear picture quality for surveillance, achieving a horizontal resolution of 560TV lines in color and 700TV lines in B/W.



Conventional Camera

SID-560



Powerful **128X WDR** by pixel unit image processing

The SID-560/562 compensates for backlight 128 times more effectively than standard cameras, by applying an powerful pixel control image analysis technology ensuring clear video and better color representation.



WDR Off



WDR Off



WDR On



Clean, clear images without noise in an ultra low light of **0.001 Lux**

The camera can operate in an ultra low light level of 0.001Lux in color mode, by implementing up to 256X Sens-up and three-dimensional noise reduction technology, SSNR.II.



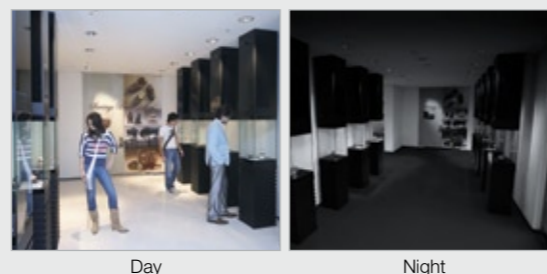
Conventional Camera

SID-560



ICR **Day & Night** for clear images 24 hours a day

The SID-560 provides the ICR Day & Night function that detects changes in the level of light at any time of day, and then switches to the optimum surveillance mode according to the light level.



Day

Night

Flexible backlight zone setting

The dome can set a backlight blocking zone that is optimized for the user environment through an User BLC function.

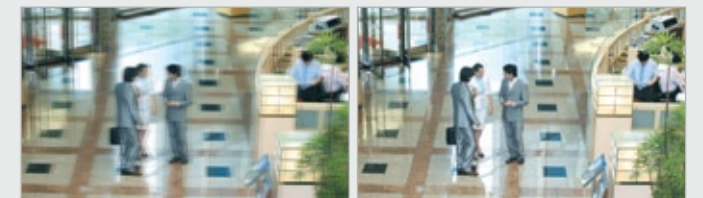


BLC Off

BLC On

Built-in (Digital Image Stabilizer) for clear images

The dome provides a built-in DIS (Digital Image Stabilizer) that effectively stabilizes images when strong vibrations can affect the camera, causing blurring or flickering of images.



DIS Off

DIS On

Vari-focal lens, 3-Axis rotating dome mechanism

The SID-560/562 is equipped with a Vari-focal lens of 3.5 ~ 9.5mm that ensures optimum video image and focus setting, and ensures the optimum view in a variety of installation environments with 3-Axis rotating dome mechanism.



Ceiling

Wall

Slope

Upgraded motion detection & Privacy zone masking

The SID-560/562 supports an upgraded motion detection function by enabling the user to make different color and sensitivity settings for up to 8 areas, and up to 8 unwanted areas within the surveillance area can be masked with 6 different colors.



Motion Detected

Privacy Masking

Multi-language OSD for user convenience

The dome supports the multiple languages for OSD setting, resulting in easy, quick, user-friendly setting.



Supporting RS-485 remote control

Users can make changes to the settings of the camera menu by remote control via an RS-485 port.

